

Datasheet

E2 LED Edgelight



CAT. NO. 659003LI, 659004LI, 659005LI, 659006LI



659005LI



659003LI

Operating Mode	Maintained
Nominal Input Voltage	230 - 240 V a.c. 50 Hz
Power Consumption	3 W
Battery	Li-ion 6.4 V, 0.57 Ah
Inrush Current	5 A (peak)
Light Source Life (LSL)	100,000 hrs
IP Rating	IP20
IK Rating	IK05
Body Construction	Polycarbonate
Diffuser Construction	Acrylic
Product Weight	Surface Mount: 1.4 kg Recess Mount: 1.9 kg
Compliance	AS/NZS 2293, AS/NZS 60598, AS CISPR 15
Product Marking	  R-NZ



E2 LED Edgelight

CAT. NO. 659003LI, 659004LI, 659005LI, 659006LI



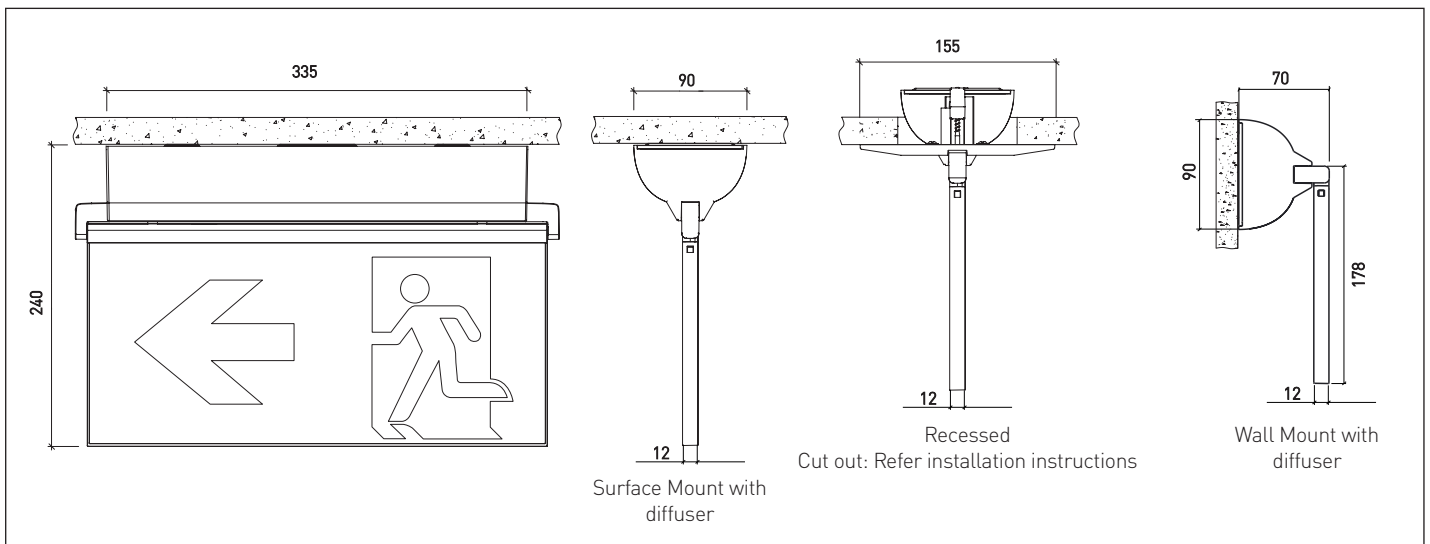
FEATURES

- Embedded Bluetooth for smart device connectivity.
- Low Power Wide Area Network type of communications utilising the LoRa platform.
- LoRa communication to maximise reliability, coverage and infiltration.
- iSmart™ temperature sensing technology for the Li-ion battery.
- Electronics designed to lengthen the life of the battery, minimising maintenance costs.
- Environmentally friendly battery.
- Available in White and Black.
- Can be wall, ceiling or cantilever mounted.
- Large terminal block for ease of connection.
- Designed and Manufactured in Australia.
- 5 Year Warranty.

Recessed	
659003LI	Maintained LED set of 3xRM Decals SS/DS - White - Li-ion
659004LI	Maintained LED set of 3xRM Decals SS/DS - Theatre - Li-ion
Surface-Mounted	
659005LI	Maintained LED set of 3xRM Decals SS/DS - White - Li-ion
659006LI	Maintained LED set of 3xRM Decals SS/DS - Theatre - Li-ion
Accessories	
684737	E2 Surface Mounting Block Kit - White
684739	E2 Surface Mounting Block Kit - Black
686216	Wire suspension kit 2x6m
686235	Wire guard for Wall Mount Exit Signs
686236	Wire guard for Ceiling Mount Exit Signs
686260	Suspension Rod Kit 600 mm - White
686261	Suspension Rod Kit 1200 mm - White
686262	Suspension Rod Kit 3000 mm - White
686263	Suspension Rod Kit 600 mm - Black
686264	Suspension Rod Kit 1200 mm - Black
686265	Suspension Rod Kit 3000 mm - Black
686270	Weatherproof IP65 Enclosure

RM = Running Man, DS = Double-Sided, SS = Single-Sided

DIMENSIONS



Note: All dimensions are in mm.

E2 LED Edgelight

CAT. NO. 659003LI, 659004LI, 659005LI, 659006LI

SPACING TABLE

Maximum spacing for 0.2 lux (Australia)

Classification	Maximum spacing between luminaries Mounting Height (metres)					
	2.1	2.4	2.7	3.0	3.3	3.6
C ₀ :E4	6.2	6.6	6.9	7.1	7.3	7.4
C ₉₀ :C20	8.9	9.4	9.9	10.3	10.7	11.1

As per AS/NZS 2293:2018

Maximum spacing for 1.0 lux (New Zealand)

Classification	Maximum spacing between luminaries Mounting Height (metres)					
	2.1	2.4	2.7	3	3.3	3.6
C ₀ :E4	0.0*	0.0*	0.0*	N/A	N/A	N/A
C ₉₀ :C20	5.4	5.6	5.7	5.8	5.8	5.8

As per AS/NZS 2293:2018

* - exit sign satisfies the requirement to illuminate the doorway or potential hazard, however without a spacing for this mounting height as per AS/NZS 2293.1:2018 clause 4.5.

Legrand Australia
1300 369 777
www.legrand.com.au
ABN 31 000 102 661

Legrand New Zealand
0800 476 009
www.legrand.co.nz

Refer to your group buying office, Legrand Sales Representative or
Legrand Sales Office for pricing.

Please note: specifications are subject to change without prior notice.



LEG2035D

01/2025